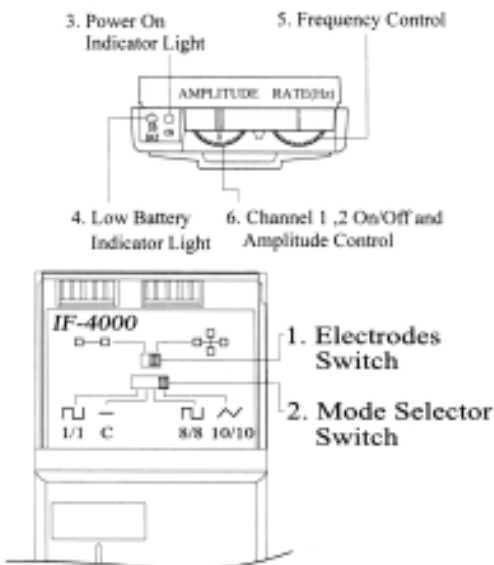


- ◆ Dual channel
- ◆ Multi-mode Selector Switch
- ◆ Electrode Switch
- ◆ Power-on Indicator Light
- ◆ Low Battery Light
- ◆ Frequency Control
- ◆ Amplitude Control
- ◆ System Includes: **Stimulator, Lead Wires (New FDA compliant), 4 Self-stick Hypoallergenic Reuseable Electrodes, 9 Volt Battery, Hard Plastic Carrying case, Instruction Booklet, 120 Volt adapter.**



TECHNICAL SPECIFICATION IF-4000

| | |
|-----------------------|---|
| Carrier Frequency: | (4000 +/- 10%) Hz, fixed. |
| Difference Frequency: | (1 +/- 0.5)~(150 +/- 10%)Hz, adjustable |
| Output Voltage: | (16 +/- 2.5)Volts. (500 ohm Loading) |
| Waveform: | Symmetric biphasic square. |
| Pulse Width: | (125 +/- 10%) microseconds for each phase. |
| Power Source: | 9V alkaline battery or adaptor |
| Four Frequency Shift: | Continuous, 1/1 abrupt, 8/8 abrupt, 10/10 ramped Options. |

Voice: 215.938.0200 ~ Toll-Free 1.800.472.9190 ~ Fax: 215.938-9309

www.ProMedSpecialties.com ~ 1800 Byberry Rd. Unit 905 ~ Huntingdon Valley, PA 19006 ~ USA